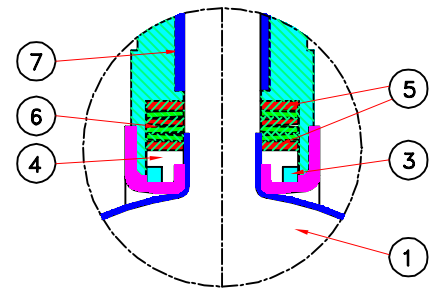
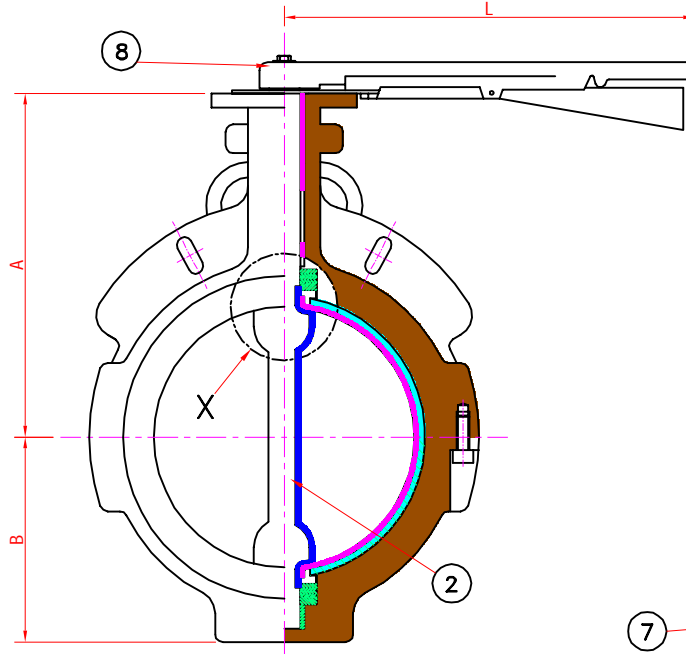


Icon Valves & Engineering Pvt. Ltd.

www.ptfeproducts.com; pfe@ivevalves.com



FEP / PFA LINED WAFER TYPE BUTTERFLY VALVE



DETAIL-X

No.	DESCRIPTION	MATERIAL
1	BODY WITH LINER	CS / SS X PTFE/FEP/PFA
2	DISC WITH INTEGRAL SHAFT	AISI-304/316 FEP / PFA LINED
3	ELASTOMER BACKING	SILICON
4	THRUST COLLAR	PTFE
5	THRUST WASHER	S.S. AISI 304
6	CUP WASHERS	SPRING STEEL NICKEL PLATED
7	GUIDE BUSH	S.S. AISI 304
8	LEVER ASSLY.	C.S

WT. KG.	4.2	5.1	5.7	7.8	13.2	29.3	51.5	70.6	90.6
L	265	265	265	350	430	430	G.BOX	G.BOX	G.BOX
B	70	75	80	110	130	160	185	215	285
A	100	114	120	158	190	220	250	285	325
C ^{+1.6}	43	46	46	52	56	60	68	78	78
SIZE	2"	2.1/2"	3"	4"	6"	8"	10"	12"	14"

TECHNICAL DATA	
TESTING & INSPECTION	Spark tested for 10 KV & Hydro tested at 10 kg/cm ² & painted with 2 coats of Red Oxide Primer
PRESSURE RATING	Vacuum to 6 kg/cm ²
TEMP. RATING	-29 °C TO 200° C
STD. RESIN SPECS.	FEP : ASTM D-2116 / PFA : ASTM D 3307



NOTE: This Drawing, Changes, Photographs & Information hereof are sole & Exclusive Property of IVE, Icon Valves & Engineering Pvt. Ltd. Mumbai. It cannot be Copied, Distributed or Circulated to any other firm, Party or individual without written consent from us. We keep our rights reserved to make any changes time to time in technical specifications & dimension without prior Notice. The dimensions, Drawing & Photographs illustrated are approximate & may some time differ from the actual product. Please ask for Bill Change & Price against order.