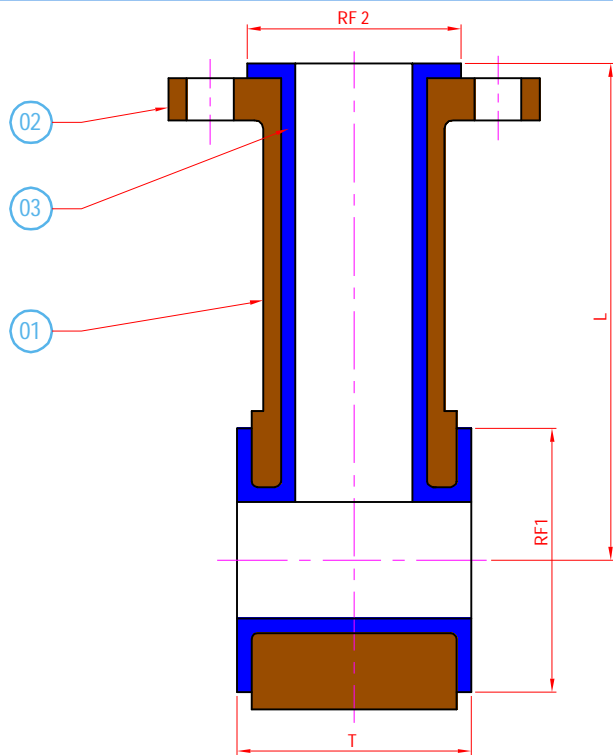


Icon Valves & Engineering Pvt. Ltd.

www.ptfelinedproducts.com; ptf@ivevalves.com



PTFE LINED INSTRUMENT TEE ONE SIDE FLANGE END 150



SIZE	RF1	RF2	L	T
1" x 1"	48	48	89	60
1 1/2" x 1"	69	48	102	60
2" x 1"	88	48	115	60
2" x 1 1/2"	88	69	115	70
2" x 2"	88	88	115	80
3" x 1"	118	48	140	60
3" x 1 1/2"	118	69	140	70
3" x 2"	118	88	140	80
4" x 1"	151	48	165	60
4" x 1 1/2"	151	69	165	70
4" x 2"	151	88	165	80
6" x 1"	204	48	203	60
6" x 1 1/2"	204	69	203	70
6" x 2"	204	88	203	80
8" x 1"	256	48	229	60
8" x 1 1/2"	256	69	229	70
8" x 2"	256	88	229	80

TECHNICAL DATA

TESTING & INSPECTION	Spark tested for 10 KV & Hydro tested at 10 kg/cm ² & painted with 2 coats of Red Oxide Primer
PRESSURE RATING	Vacuum to 6 kg/cm ²
TEMP. RATING	-29 °C TO 200° C

SR. NO.	PART NAME	MATERIAL	QTY.
01	BODY	CS A 216 WCB / CS FABRICATED	1
02	FLANGE	CS A 216 WCB / MS PLATE IS2062, ANSI B 16.5 ASA 150#.	1
03	PTFE LINERS / LINING	Isostatic Molded with Std. Resin as per ASTM D 1457 White, PFA Lined to ASTM D 3307 / OR FEP Lined to ASTM D 2116 or Equivalent	1

NOTE: This Drawing, Catalogue, Photographs & Information here off are sole & Exclusive Property of IVE, Icon Valves & Engineering Pvt. Ltd. Mumbai. It cannot be Copied, Distributed or Circulated to any other firm. Party or Individual without written consent from us. We keep our rights reserved to make any changes time to time in technical specification & dimension without prior Notice. The dimensions, Drawing & Photographs illustrated are approximate & may some time differ from the actual product. Please ask for final Drawings & Photos against orders.